

■ Spherical 3-WAY Tee with LOCK-O-RING Flange

Description

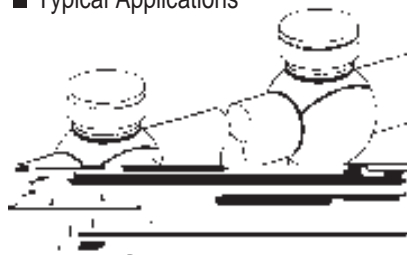
The 4-inch to 24-inch spherical three-way fittings are designed for use with STOPPING Equipment to temporarily stop flow in a line. A side or bottom outlet in the fittings permits installation of a bypass around the area where flow is stopped to keep the line in service. Spherical three-way fittings are furnished with LOCK-O-RING flanges drilled and faced to match ASME Class 150, 300 or 600 flanges. Other ASME Class ratings are available upon request. These fittings are available in 4-inch to 24-inch sizes.

Features

Spherical three-way fittings are compact and low-profile, with a side outlet at the same level as the main. With 4-inch to 12-inch sizes, the bottom half of the fitting can also be repositioned 180 degrees from the flange to create a bottom outlet. For 16-inch and larger sizes, the fitting must be specifically ordered as either a side or bottom

Options

■ Typical Applications



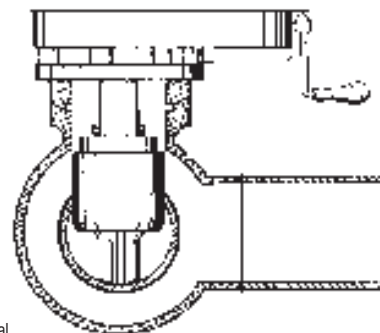
The bottom half of the Spherical 3-WAY Tee can be turned for either a side or bottom* outlet as illustrated. The tee can also be installed horizontally.

North & South America: +1 918 447

Data subject to change without notice. / Dimensions not for construction

Valve

Valve-to-Fitting Adapter



Spherical 3-WAY Tee

Main



■ 4-L Q F K4-MCR

ASME Class 150

Maximum allowable operating pressure (in psi) per ASME B31.4 at -20 to 180° F = 285 psi.
Maximum allowable operating pressure (in psi) per ASME B31.8 at -20 to 100°F see chart below.

Size Weight Design Factor

ASME Class 300
